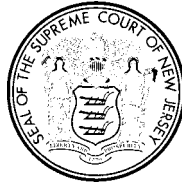


SUPREME COURT OF NEW JERSEY
BOARD ON ATTORNEY CERTIFICATION

MAILING ADDRESS:
PO Box 965
Trenton, New Jersey 08625-0965

PHYSICAL ADDRESS
Hughes Justice Complex
25 Market Street, 8th Floor, North Wing
Trenton, New Jersey 08611



HEATHER JOY BAKER, SECRETARY
WENDY L. WEISS, COUNSEL

www.njcourts.gov/attorneys/certification

BAC.Mailbox@njcourts.gov
Phone (609) 815-2930

Certification Marketing Materials

To order Certified Attorney marketing materials, submit this completed form with a check or money order payable to: “Secretary, Board on Attorney Certification.”

Certified Attorney Brochures: \$50 per pack of 100 brochures.

Only available in multiples of 100.

Certified Attorney Logo: \$5.00 each. Physical logo available in three sizes: 3/4"; 1"; and 1 1/4".

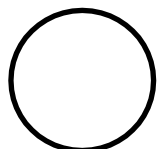
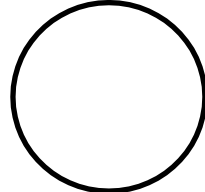
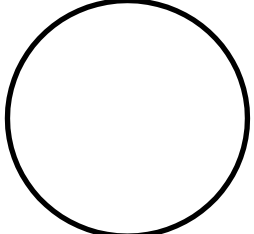
Digital version is not available.

The Supreme Court has approved a generic logo for all certified attorneys to use on business cards, letterhead, e-mail or websites. Board Regulations require you to use the following language to clearly identify the area(s) of law in which you have been certified: “Certified by the Supreme Court of New Jersey as a _____ Attorney.” The short-hand versions (e.g.: “certified civil trial attorney”) are no longer acceptable.

When using the logo on any advertising or correspondence from the firm (including letterheads and websites), the media must clearly identify the specific lawyer(s) that are certified and the area(s) of their certification. As noted in the above paragraph, only the language provided in the Board’s Regulations is permitted.

Attorney’s Name and ID number:		
Firm Name		
Mailing Address: Street		
City	State	Zip

Select Brochure Type & Quantity: (\$50 per set of 100 brochures)
_____ X 100 Certified Civil Trial Attorney Brochures
_____ X 100 Certified Criminal Trial Attorney Brochures
_____ X 100 Certified Matrimonial Law Attorney Brochures
_____ X 100 Certified Municipal Court Law Attorney Brochures
_____ X 100 Certified Workers’ Compensation Law Attorney Brochures

Select Logo Size(s) & Quantity: (\$5 per logo)		
		
_____ 3/4”	_____ 1”	_____ 1 1/4”